

Threaded Needle Valves

10000 PSI / Metal Seated

- Bonnet Locking Shroud
- Precise Metering
- Maximum Temp 200°



Material Description

ITEM	PART NAME	STAINLESS STEEL
1	Body (FxF)	316 Stainless Steel
2	Body (MxF)	316 Stainless Steel
3	Handle	303 Stainless Steel
4	Handle Bolt	18-8 Stainless Steel
5	Bonnet Cover	Polypropylene
6	Bonnet	316 Stainless Steel
7	Bonnet O-Ring	Buna-N (NACE Fluorocarbon)
8	Stem	316 Stainless Steel
9	Stem Back-up Ring	Buna-N (NACE Fluorocarbon)
10	Stem O-Ring	Buna-N (NACE Fluorocarbon)
11	Bonnet Locking Shroud	304 Stainless Steel
12	Handle Cover	Polypropylene

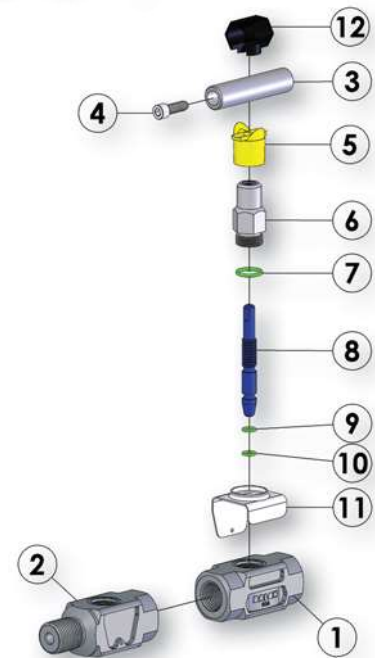


Diagram A (M x F)

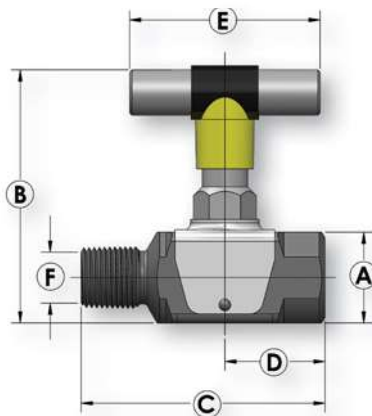
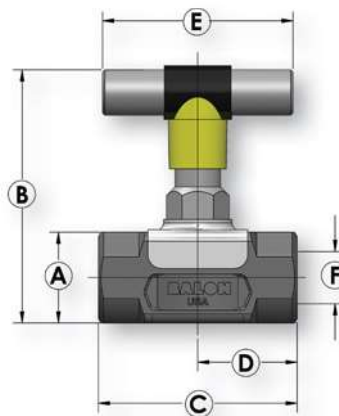


Diagram B (F x F)



Dimensional Data

SIZE	CATALOG NUMBER		SEAT	DIAGRAM	A	B	C	D	E	F	LBS.
	STAINLESS STEEL	NACE									
.25	N205-MF	N205-MFN	Metal	A	1.25	3.87	3.25	1.37	2.62	.219	1.5
.50	N405-MF	N405-MFN	Metal	A	1.25	3.87	3.37	1.37	2.62	.219	1.5
.50	N405-FF	N405-FFN	Metal	B	1.25	3.87	2.75	1.37	2.62	.219	1.5